



Advertise w/ Press Play for Feb 22nd-23rd, 2020)

WHAT WE PROVIDE

- Your advertisement on 36, 32" Screen TVs
- Shown on 4 Quad TV Pods (8 TVs PER Pod) 8x4=32
- Shown on our Center Quad (Four 32" TVs)
- Viewership by 8-10k people per week
- Unique viewership that's always on during peak times
- Video, Flyers, JPG, and PNG's accepted

THE OFFER AND WHAT YOU GET

\$200.00 SOFT OPENING WEEKEND SPECIAL (2-DAYS)

- Shown on Saturday & Sunday
- Available on all 36 Screens
- 15 second slots
- Shown 5,760 times on each 32" inch TV
- 24-hour slot (12hr/per day - 11am-11pm)

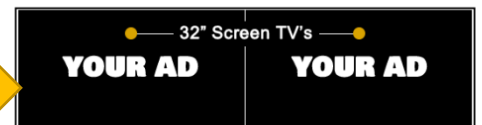
\$100.00 SOFT OPENING WEEKEND SPECIAL (1 DAY)

- Shown on Saturday or Sunday
- Available on all 36 Screens
- 15 second slots
- Shown 5,760 times on each 32" inch TV
- Shown 2,880 times
- 12-hour slot (12hr/per day - 11am-11pm)

For questions or more information, please email at info@pressplaylounge.com or visit www.pressplaylounge.com



CENTER QUAD TV MOUNT

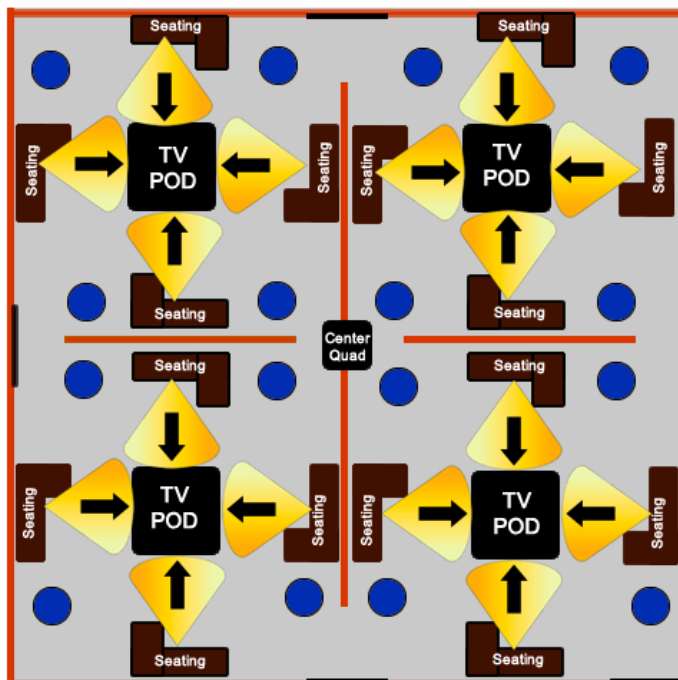


Our TV/AD Viewing Layout

8 total 32" TV's on each pod showing advertisements only

LEGEND

- Sectional Seating Area
- TV Pod w/ 8 - 32" TVs
- Center Quad w/ 4 32" TVs
- Divider 5' Wall
- Round Tables
- Ad Viewing
- Entry



INTERESTED AND READY TO PAY?
 Pay at the link provided in the email. If you are experiencing issues paying, please contact us at info@pressplaylounge.com