



GRAND OPENING

Advertise w/ Press Play for March 14nd-15rd, 2020)

WHAT WE PROVIDE

- Your advertisement on 36, 32" Screen TVs
- Shown on 4 Quad TV Pods (8 TVs PER Pod) 8x4=32
- Shown on our Center Quad (Four 32" TVs)
- Viewership by 8-10k people per week
- Unique viewership that's always on during peak times
- Video, Flyers, JPG, and PNG's accepted

THE OFFER AND WHAT YOU GET

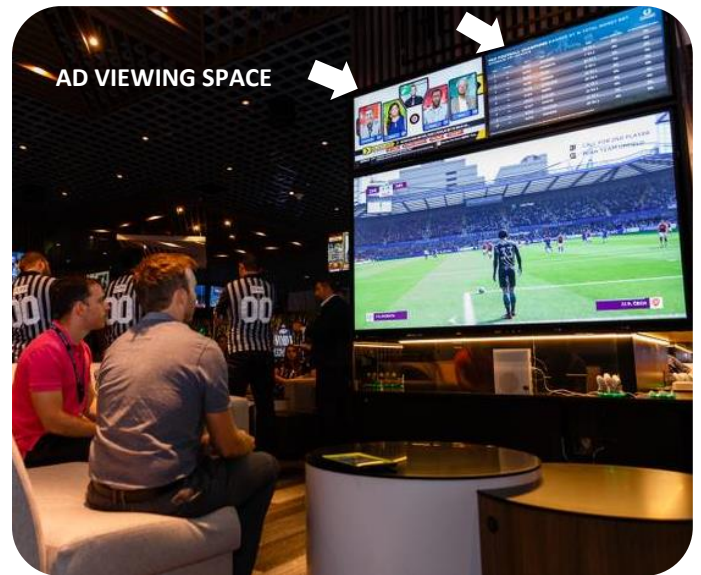
\$250.00 GRAND OPENING WEEKEND SPECIAL (2-DAYS)

- Shown on Saturday & Sunday
- Available on all 36 Screens
- 15 second slots
- Shown 5,760 times on each 32" inch TV
- 24-hour slot (12hr/per day - 11am-11pm)

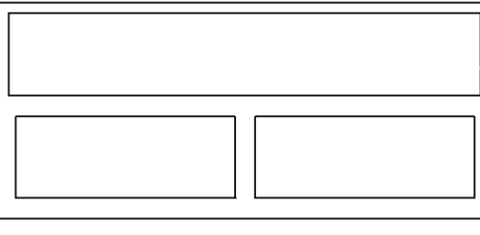
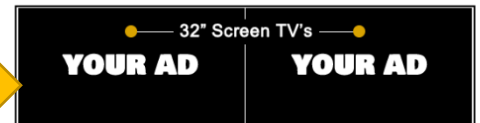
\$150.00 GRAND OPENING WEEKEND SPECIAL (1 DAY)

- Shown on Saturday or Sunday
- Available on all 36 Screens
- 15 second slots
- Shown 2,880 times on each 32" inch TV
- 12-hour slot (12hr/per day - 11am-11pm)

For questions or more information, please email at info@pressplaylounge.com or visit www.pressplaylounge.com

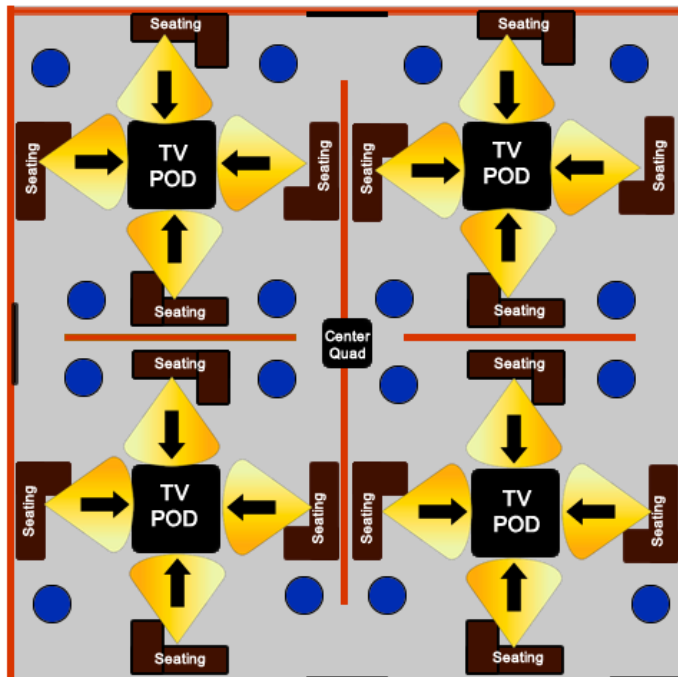
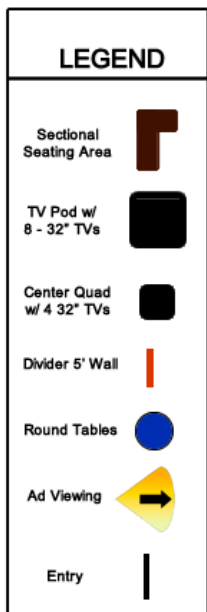


CENTER QUAD TV MOUNT



Our TV/AD Viewing Layout

8 total 32" TV's on each pod showing advertisements only



INTERESTED AND READY TO PAY?

Pay at the link provided in the email. If you are experiencing issues paying, please contact us at info@pressplaylounge.com